

JB020CDM

For Ceramic Bulb

20W Ceramic Electronic Ballast



Characteristics
Power factor ≥ 0.95
Constant lamp power over service time by power regulation
Increased light output
Wide range mains input

JB020CDM Options

Type	Order No.	Output/W	Lamps
JB020CDM	JB020CDM	20	

Technical data

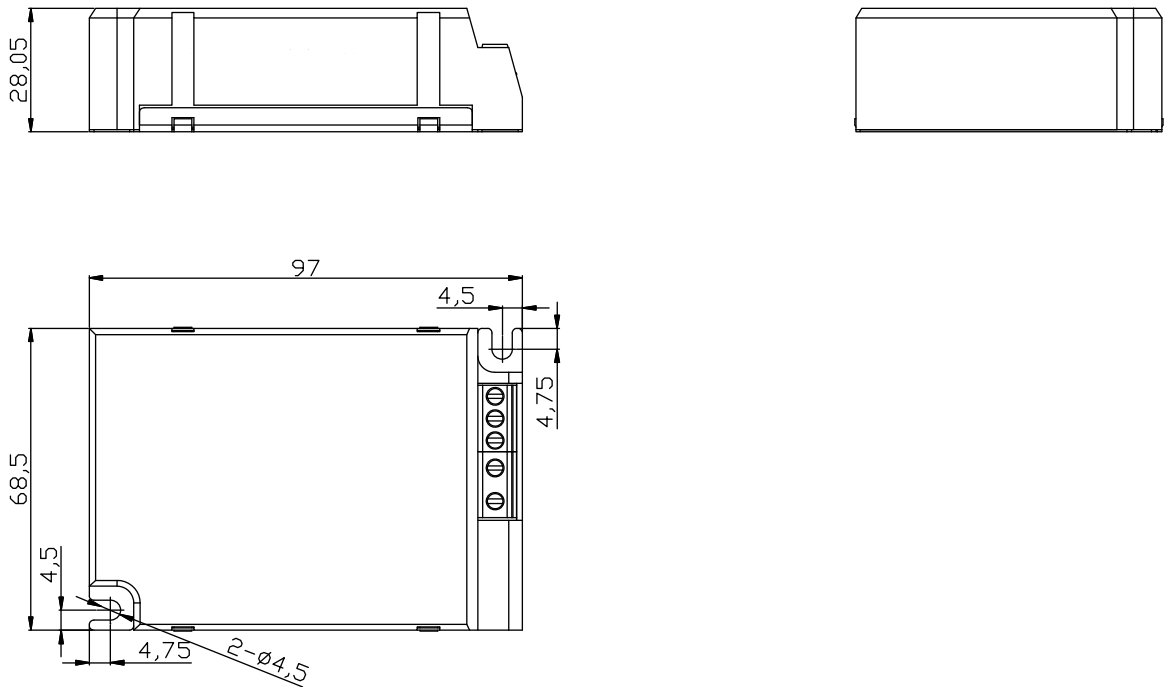
Wide range mains voltage	100-250V
Line frequency	47-63Hz
Lamp voltage	75-130V,200Hz square wave
Current ripple	<4%
Earth leakage current 220V ,50-60Hz	<0.5mA
Efficiency	>0.88typ. at 220V, 0.85typ. at 110V
Power fluctuation in lamp arc/mains	±5% / ±1%
Ambient temperature	50°C forced cooling required
Output power tolerance	±5%
EMI	Internal noise filter
Maximum dimensions	L×W×H 97mm×68.5mm×28.05mm

Subject to changes without notice

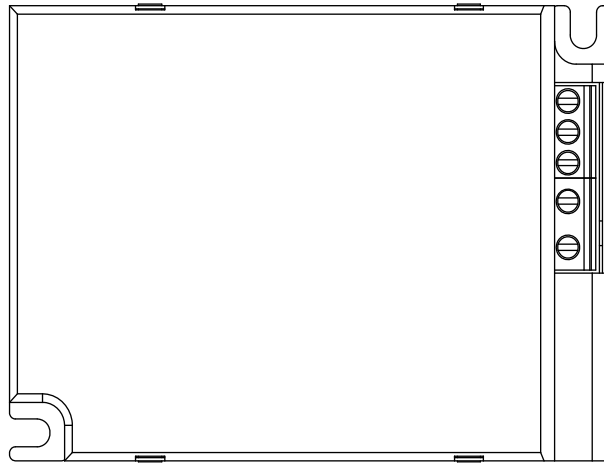
We reserve the right to make technical changes without prior notice.

Mechanical Specification

▲Structure dimension & mounting holes



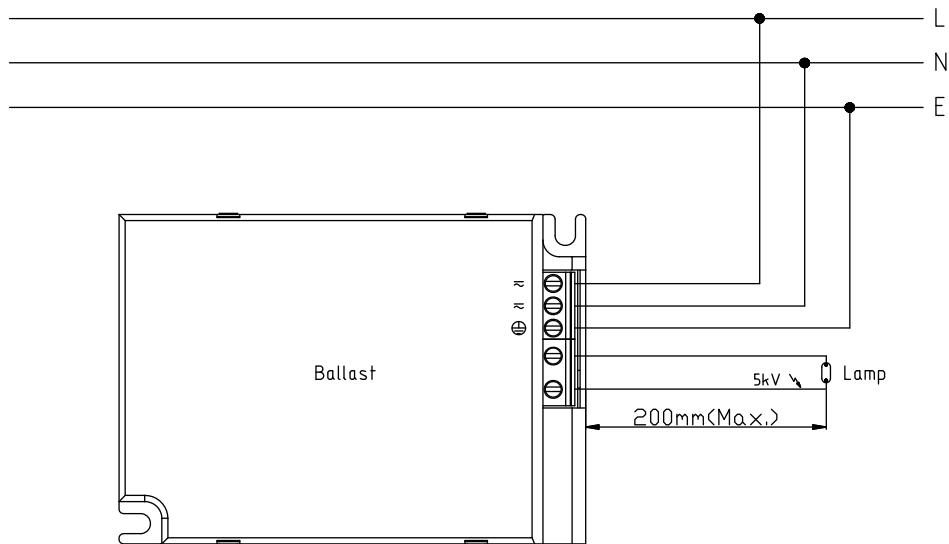
Mounting Details and Temperature measurement points



Temperature measurement points

Max. 85°C

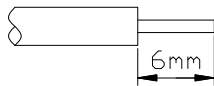
▲ Connection Drawing



▲ Wire preparation:

Input wire: 20 AWG/ 300V

Output wire: 20 AWG/ 10KV



Warning Notice

Do not attempt to handle or operate an electronic power supply (EPS) before completely reading and understanding this notice. Contact JENBO if you are uncertain of characteristics of these devices.

The electronic power produces starting voltages of up to 5kV and electromagnetic radiation interference, which are hazardous to personnel and sensitive instrumentation. Do not touch any conductive parts during operation.

Both electronic lamp ballast must never be installed or operated in an explosive or volatile atmosphere. Never use the ballast near flammable gases or liquids. See that there will be no moisture, dust or similar which could lead to short circuits or fire.

Before using the ballast in any kind of outdoor application you have to take additional measures and observe special requirements. If you uncertain, contact JENBO.

No potential isolation is provided between line input and output. Accidentally grounding of an output terminal by direct contact or arcing to GND can damage the unit (no warranty replacement).

All installation and repair work on this unit is only permitted by qualified personnel.

Extreme care must be taken when testing the unit live. The use of an isolating transformer is mandatory.

Please provide sufficient cooling condition for EPS

JENBO does not assume liability for disregarding of this notice, incorrect use of the EPS or disregarding of any legal requirements. This product is subject to technical changes without prior notice.